

6

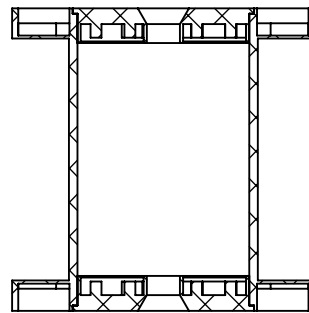
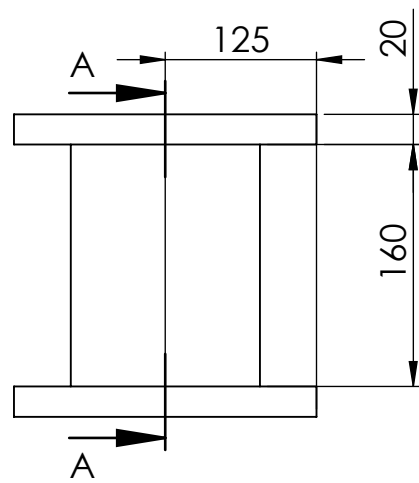
5

4

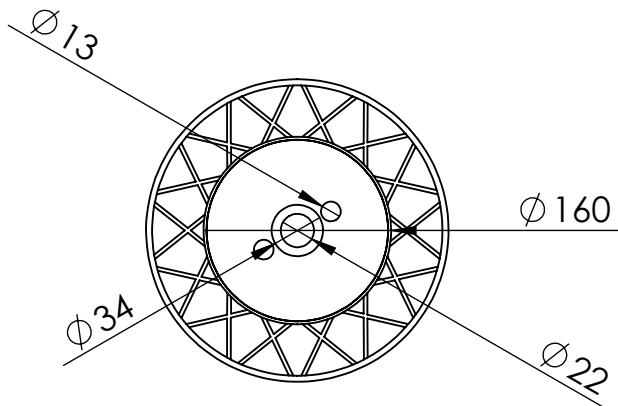
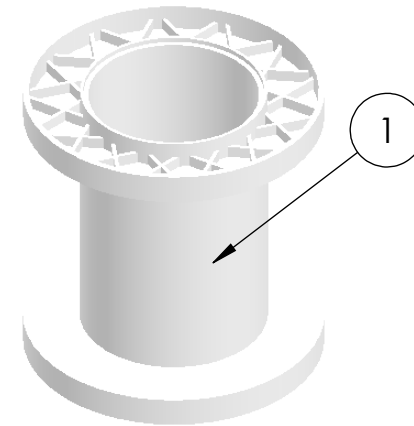
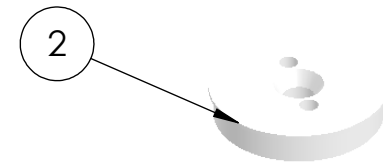
3

2

1



SECTION A-A
SCALE 1 : 5



ITEM NO.	PART NUMBER	DESCRIPTION	QTY.
1	main body	top edges must be glued.	1
2	Head		2

UNLESS OTHERWISE SPECIFIED: DIMENSIONS ARE IN MILLIMETERS SURFACE FINISH: TOLERANCES: LINEAR: ANGULAR:				FINISH:		DEBURR AND BREAK SHARP EDGES		DO NOT SCALE DRAWING		REVISION	
		NAME		SIGNATURE		DATE		TITLE:			
DRAWN		sepehr bashokat				1401/08/20					
CHK'D											
APPV'D											
MFG											
Q.A								MATERIAL: PS		DWG NO.	
										Reel 250-E	
										A4	
								WEIGHT: 255 ± 5 gr		SCALE: 1:10	
										SHEET 1 OF 1	

6

5

4

3

2

1

D

C

B

A