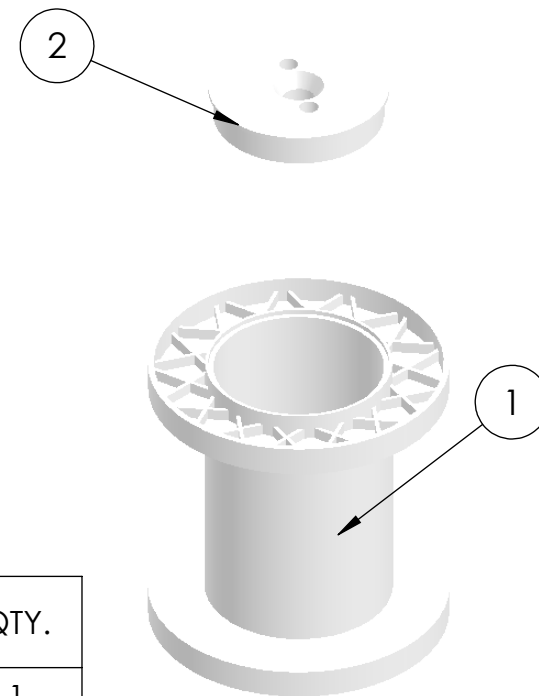
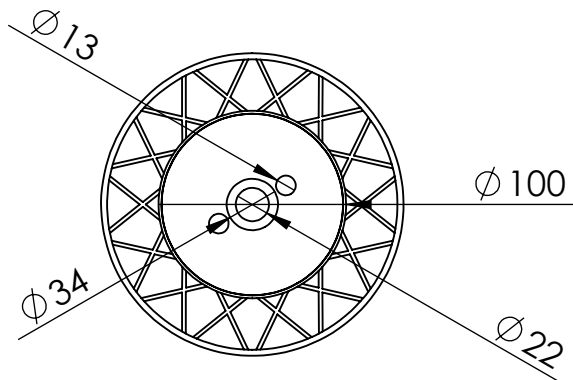


SECTION A-A
SCALE 1 : 5



ITEM NO.	PART NUMBER	DESCRIPTION	QTY.
1	main body	top edges must be glued.	1
2	Head		2

UNLESS OTHERWISE SPECIFIED: DIMENSIONS ARE IN MILLIMETERS SURFACE FINISH: TOLERANCES: LINEAR: ANGULAR:		FINISH:		DEBURR AND BREAK SHARP EDGES		DO NOT SCALE DRAWING		REVISION	
DRAWN		SIGNATURE		DATE		TITLE:			
sepehr bashokat				1401/08/20		Reel 160-E			
CHK'D									
APPV'D									
MFG									
Q.A				MATERIAL: PS		DWG NO.		A4	
				WEIGHT: 255 ± 5 gr		SCALE: 1:10		SHEET 1 OF 1	